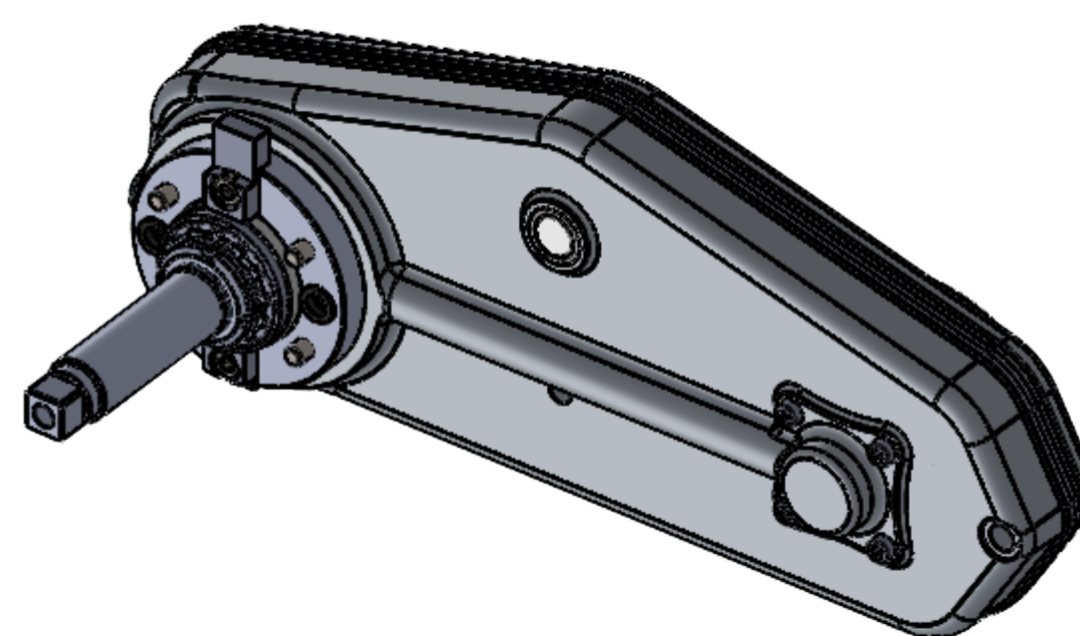


ITEM NO.	PART NUMBER	DESCRIPTION	QTY.
1	L14383600	PULLEY ASSEMBLY	2
2	L24443500	BEARING/WASHER SUB-ASSEMBLY	1
3	L34302100	TENSIONER BODY	1
4	L34302200	TENSIONER SHAFT	1
5	L34302300	BUSH (777-10542)	1
6	L34302600	BELT TENSIONER PULLEY	1
7	L34307100	DOWEL (PULLEY SHAFT)	2
8	L34383201	CAST CASE	1
9	L34383300	CAST NIS TOA COVER	1
10	L34383701	NIS OUTPUT SHAFT	1
11	L34383800	OUTPUT BEARING HOUSING	1
12	L34393401	210 Series Input Shaft	1
13	L34393501	INPUT BEARING HOUSING	1
14	L34431200	DRIVE BLOCK	1
15	L34431300	DRIVE BLOCK	1
16	L34437800	LOCKNUT (MODIFIED FROM KM6)	2
17	L94117500	THRUST WASHER GLDU20	1
18	L9435900	BELT	1
19	L94410600	NILOS RING	1
20	V1218-0006-0012	M6 SHCS	4
21	V1218-0008-0020	M8 SHCS X 20MM	4
22	V1218-0008-0030	M8 SHCS X 30MM	2
23	V1218-0008-0160	M8 SHCS X 160MM	1
24	V1222-0236-0984	M6 X 25 TAPFIX SHCS	5
25	V1818-0008-0016	M8 X 16 BHCS	6
26	V3300-0006-0000	SPRING WASHER M6	4
27	V3600-0030-0000	TAB WASHER	1
28	V4600-0006-0020	SPRING PIN	2
29	V4700-0125-1250	RETAINING PIN	1
30	V7100-1024-1181	O RING	1
31	V7100-1142-1339	O RING	1
32	V7300-0612-0103	QUADRING (QRAR04330)	1
33	V8100-0035-0016	NEEDLE BEARING	2
34	V8200-4331-0512	SKF - 61817 - 34, DE, NC, 34_68	1
35	V8206-0025-0015	BALL RACE BEARING	1
36	V8206-0060-0010	BALL BEARING	1
37	V8300-0030-0025	TAPERED ROLLER BEARING	1
38	1180-1770	1/2 UNF HALF NUT	1
39	1700-405	VICKERS SEAL	2



Assembly Instructions

- Items 22 & 25 tighten to torque to 15 ft-lb.
- Item 21 tighten to torque 30 ft-lb
- Apply loctite 272 to items 20 & 25 before insertion.
- All bearings to be lightly packed with Cassida GTX2 grease 3
- Set bearing clearance for items 19 & 27 by using 0.006" feeler gauge between item 19 (Nylor Ring) & item 27 (Tab Washer)

Scale 1:1

Sheet 1 of 1

DIMENSIONS ARE IN MILLIMETRES UNLESS OTHERWISE STATED	
PROJECTION TOLERANCES UNLESS SPECIFIED 0 ± 1 0.0 ± 0.5 0.00 ± 0.25	Angular ±2° <small>This drawing is confidential and is the sole property of Lattimer LTD the drawing and any information therein may not be used, copied or disclosed to any third party without the prior written authorisation of Lattimer LTD.</small>

*** DO NOT SCALE ***			
Customer	LATTIMER LTD	Drawn	JR
Material	SEE BOM	Approved	
Desc	NIS, 210 SERIES, BELT TAKEOUT ARM	Date	02/11/2012
DRG No	L14383201	Update No	2799