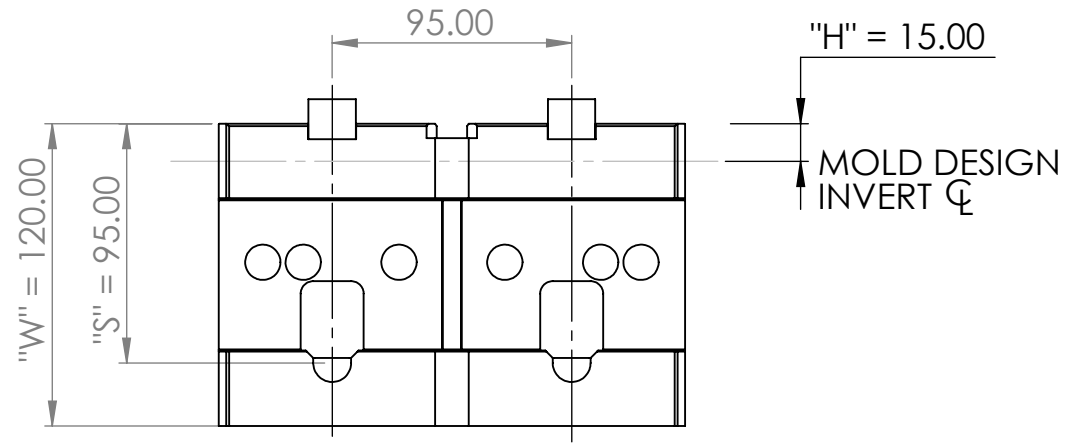
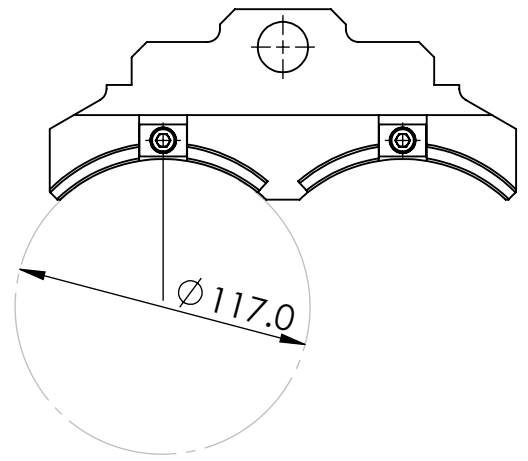
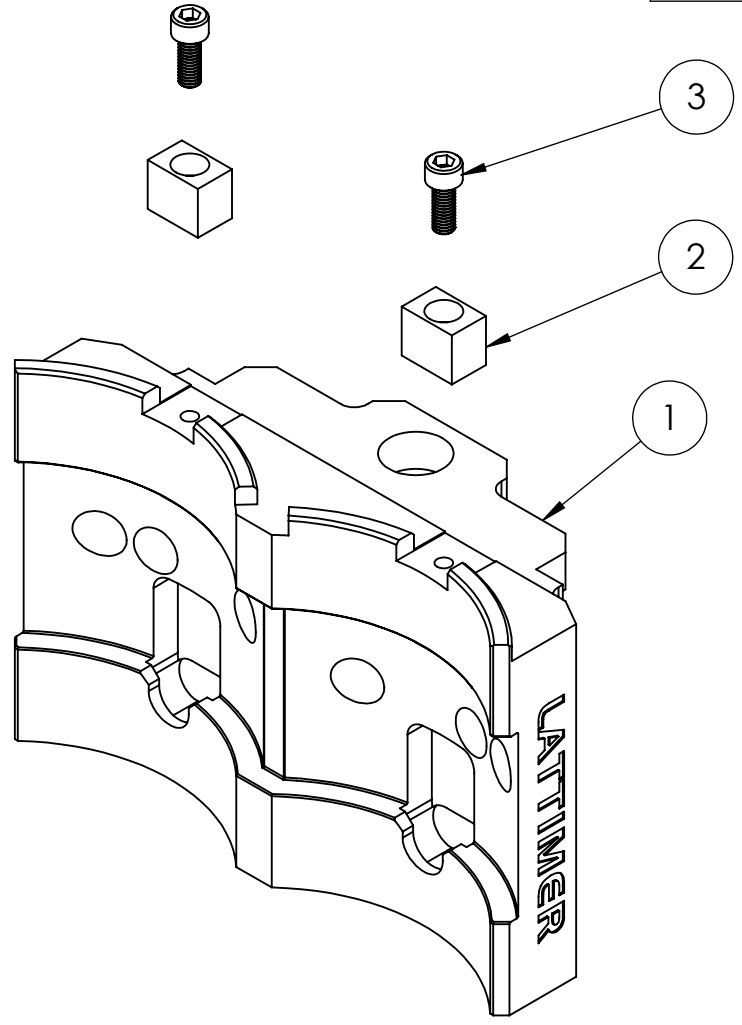


ITEM NO.	PART NUMBER	DESCRIPTION	QTY.
1	L34492500	95mm QG NIS INSERTS	4
2	191-14005	LOCK BLOCK	8
3	V1218-0006-0016	CAP HEAD M6 x 16	8



$\sqrt{Ra\ 3.2}$ ISO 13715
 $\begin{matrix} L \\ -0.40 \\ -0.25 \end{matrix}$

DIMENSIONS ARE IN MILLIMETRES UNLESS OTHERWISE STATED

LATTIMER

PROJECTION	TOLERANCES UNLESS SPECIFIED
	0 ±0.5 0.0 ±0.25 0.00 ±0.12
	Angular ±2°

This drawing is confidential and is the sole property of Lattimer LTD the drawing and any information therein may not be used, copied or disclosed to any third party without the prior written authorisation of Lattimer LTD.

Scale 1:2

Sheet 1 of 1

*** DO NOT SCALE ***		Drawn	MV	Date	12/08/2021
Customer	LATTIMER LTD	Approved	RL	Date	24/08/2021
Material	SEE BOM				
Desc	95mm QG NIS INSERT ASSY BLOW				
DRG No	L400-05107-GR1	ISSUE	01	Update No	-