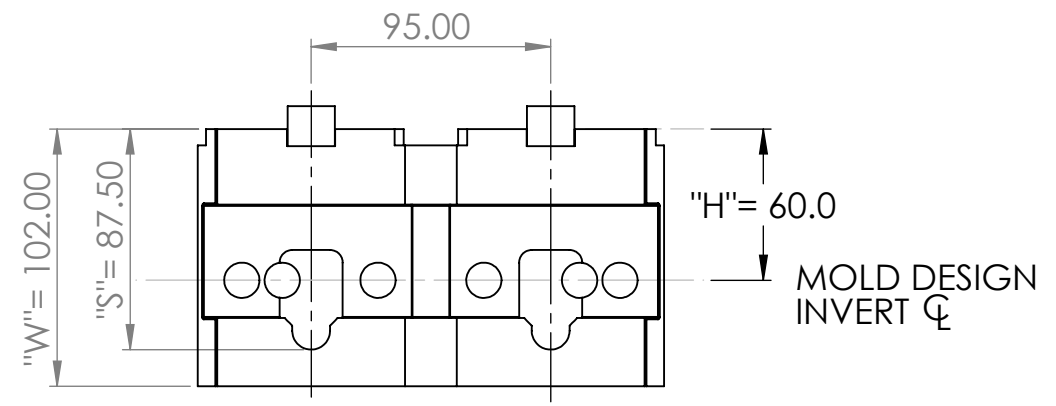
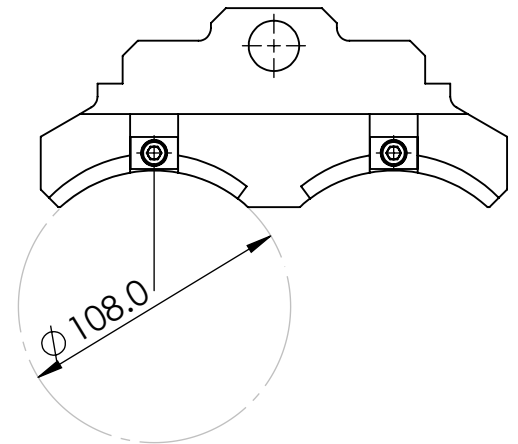
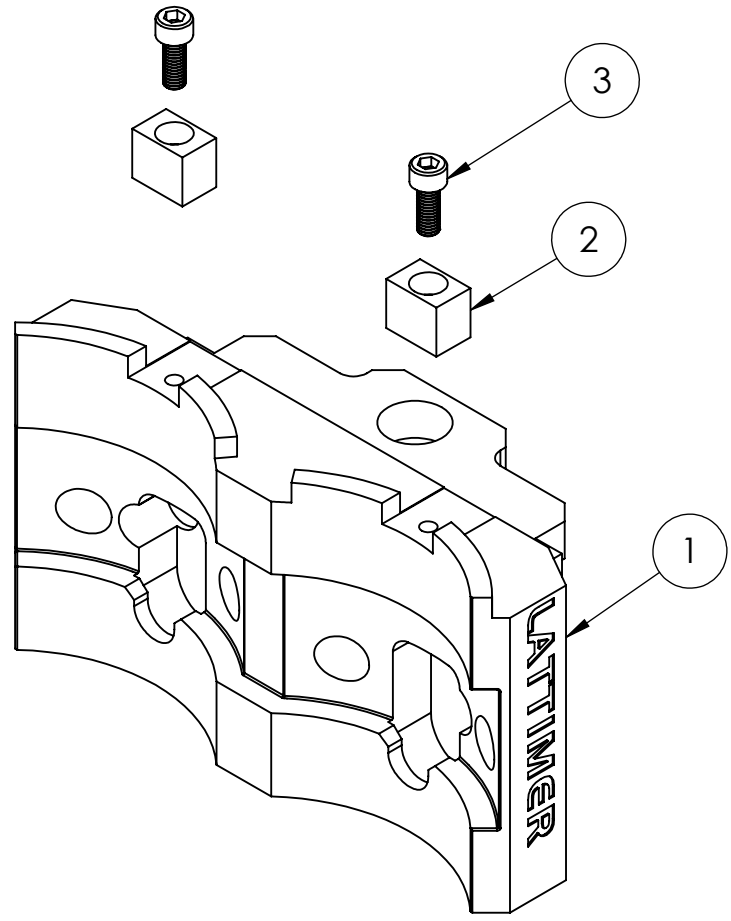


| ITEM NO. | PART NUMBER | DESCRIPTION | QTY. |
|----------|-----------------|---------------------|------|
| 1 | L34492600 | 95mm QG NIS INSERTS | 4 |
| 2 | 191-14005 | LOCK BLOCK | 8 |
| 3 | V1218-0006-0016 | CAP HEAD M6 x 16 | 8 |



$\sqrt{Ra\ 3.2}$ ISO 13715
 $\sqrt{Ra\ -0.40}$
 $\sqrt{Ra\ -0.25}$

DIMENSIONS ARE IN MILLIMETRES UNLESS OTHERWISE STATED

LATTIMER

| PROJECTION | TOLERANCES UNLESS SPECIFIED |
|------------|-----------------------------|
| | 0 ± 0.5 |
| | 0.0 ± 0.25 |
| | 0.00 ± 0.12 |

This drawing is confidential and is the sole property of Lattimer LTD the drawing and any information therein may not be used, copied or disclosed to any third party without the prior written authorisation of Lattimer LTD.

Scale 1:2

Sheet 1 of 1

| *** DO NOT SCALE *** | | Drawn | MV | Date | 12/08/2021 |
|----------------------|-------------------------------|----------|----|-----------|------------|
| Customer | LATTIMER LTD | Approved | RL | Date | 18/08/2021 |
| Material | SEE BOM | | | | |
| Desc | 95mm QG NIS INSERT ASSY BLANK | | | | |
| DRG No | L400-05150-GR1 | ISSUE | 01 | Update No | - |