

New and improved Lattimer Servo Take Out Arm

The Lattimer Servo Take Out Arms have been designed to deliver significant user benefits.

The full range of Lattimer Servo Take Out Arms utilise common internal components, reducing spare part stock requirements.

In common with other Lattimer Take Out Arms, the Servo Arm is constructed with replaceable bearing housings for quick, simple and efficient maintenance.

Opposing Taper Roller Bearings on the output shaft provide secure support and prevent unwanted axial movement.

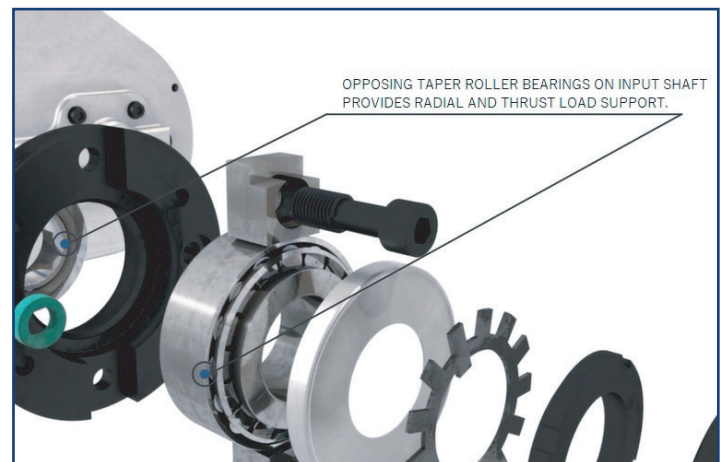
Replaceable mechanical stop included to assist resetting datum.

Optional belt tension gauge used to check the belt tension, without removing the arm from the machine.

Features

- Opposing Taper Roller bearings.
- Lightweight aluminium casing and cover.
- Available in 5" and 5.5"/6.25".
- Quality, sealed bearings enable the arm to run at high production speeds.
- Jacking screws incorporated to split cover and case.
- Incorporated mechanical stop for datum resets.
- Available with belt or chain drive.
- Compact, maintenance friendly design.
- Optional Belt Tension gauge available.
- Timing indicators on pulleys and casing to simplify set up.

Contact Lattimer for more information
sales@lattimer.com



Benefits

- **Reliable, repeatable and proven high performance arm.**
- **Interchangeable internal components across the range.**
- **Replaceable bearing housings, simplify maintenance.**
- **Sealed bearings removing requirement for frequent lubrication.**



LATTIMER
CREATING A NEW VISION FOR GLASS ENGINEERING

Lattimer
79-83 Shakespeare Street
Southport, Merseyside
England PR8 5AP

Tel: +44 (0) 1704 535040
Fax: +44 (0) 1704 541046
Email: sales@lattimer.com
Web: www.lattimer.com

Lattimer
3603 North Mill Road
Vineland
New Jersey 08360, USA

Tel: +1 (856) 691 2203
Fax: +1 (856) 691 5509
Email: salesamericas@lattimer.com
Web: www.lattimer.com



THE QUEEN'S AWARDS
FOR ENTERPRISE:
INTERNATIONAL TRADE
2018