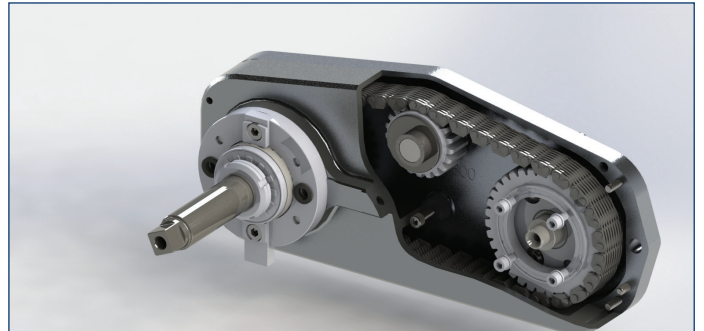
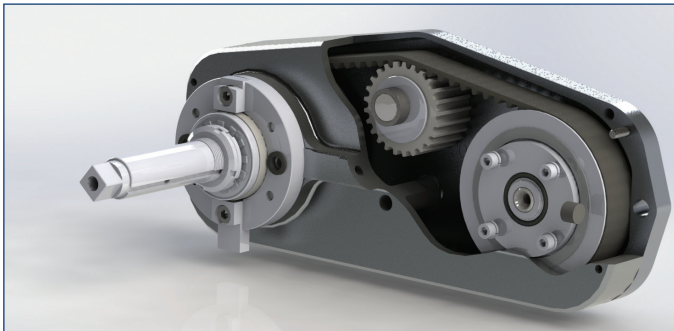


The Lattimer Take Out Arm: for Servo Machines

Precision engineered, the Lattimer Take Out Arm for Servo Machines is designed to cope with the most challenging of operating speeds. All sizes available as belt or chain driven.

The synchronous belt drive used in the range of Lattimer belt arms has proved in over 20 years of service to be both reliable and efficient in the most challenging of applications.

The Lattimer Servo Take Out Arm is manufactured to the same exacting quality standards as the Lattimer Arms that have been successfully used in the industry for over 20 years.



The Lattimer take out arm for servo machines has been specifically designed for this new range of applications with a number of features specifically incorporated to deliver additional benefits to the user.

Opposing taper roller bearings on the loaded shaft fully support and prevent any axial movement during operation.

The Lattimer Take Out Arm: for Servo Machines is produced with a precision machined casing manufactured from aerospace grade aluminium for minimum weight and manufacturing lead time reduction.

In common with other Lattimer Take Out Arms the Servo Take Out arm is constructed with a replaceable bearing housing for simplicity and ease of maintenance.

Benefits

- Available for a range of machine sizes
- Available with Belt or Chain drive (belt up to 30mm width).
- Compact, maintenance friendly design.
- Quality bearings enabling the Arm to operate at high production rates.
- Sealed for life bearings removing the requirement for frequent lubrication.

Part Numbers:

6.25 AIS machine	(6.25 DG and 4.25 TG)	L14393701 (Belt)	L14393711 (Chain)
4.25 EF machine	(SG, DG 4-1/4 & TG 3)	L14423200 (Belt)	L14423215 (Chain)
5 EF machine	(SG, DG)	L14416400 (Belt)	
5-1/2 EF machine	(SG & DG 5-1/2)	L14393701 (Belt)	L14393711 (Chain)
NIS machine	(6.25 DG, 5" TG and 95mm QG)	L14383201 (Belt)	

Contact Lattimer for more information sales@lattimer.com



LATTIMER
CREATING A NEW VISION FOR GLASS ENGINEERING

Lattimer
79-83 Shakespeare Street
Southport, Merseyside
England PR8 5AP

Tel: +44 (0) 1704 535040
Fax: +44 (0) 1704 541046
Email: sales@lattimer.com
Web: www.lattimer.com

Lattimer
3603 North Mill Road
Vineland
New Jersey 08360, USA

Tel: +1 (856) 691 2203
Fax: +1 (856) 691 5509
Email: salesamericas@lattimer.com
Web: www.lattimer.com



THE QUEEN'S AWARDS
FOR ENTERPRISE:
INTERNATIONAL TRADE
2018