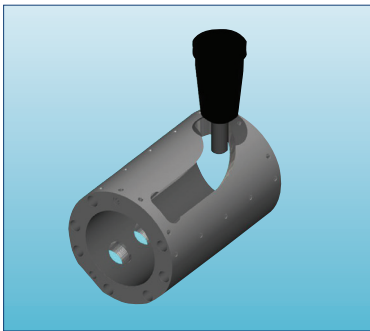


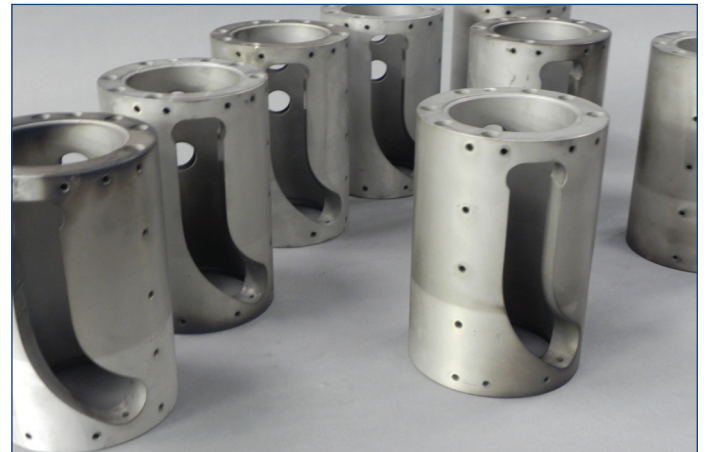
Lattimer Baffle Cam

The Lattimer Hardened Baffle Cam designed to be interchangeable with your existing equipment providing you with a high quality, accurate, reliable, and hard wearing alternative.

The Lattimer Baffle Cam is manufactured from a high tensile strength and high load bearing steel, ideal for applications where strength and load resistance is important. State of the art, multi axis CNC machinery guarantees product quality during manufacture.



The complex Cam track profile is modelled using Solidworks design software before converting the image into a 3D machining programme ensuring the profile is generated exactly as drawn.



To further guarantee that each CAM has been manufactured precisely to drawing, Lattimer use advanced CMM measuring equipment before and after the hardening process to ensure dimensional accuracy and stability.

The Lattimer Baffle Cam is manufactured from a solid billet, with no requirement for a casting. This hard wearing material when combined with a low temperature, low distortion hardening process generates a hard wearing cam track surface essential if operational life is to be extended.

Using CMM reverse engineering technology to produce exact replicas from samples provided, other Cams can be produced for your specific machines. You can then be sure that the Lattimer Baffle Cam will directly interchange with the part supplied by the OEM.

Benefits

- Manufactured from high strength carbon steel billet for strength, durability, long life and reduced manufacturing lead time.
- Hardened cam track for extended operational life.
- Specialist low temperature heat treatment process to prevent distortion after machining.
- Tightly toleranced Cam track for precise movement and accurate positioning at both ends of the Baffle mechanism stroke, preventing backlash and unpredictable positioning of the baffle.
- Cam track and key dimensions guaranteed by inspection using state of the art CMM measuring equipment.
- Directly interchangeable with existing OEM components.
- Other Cams available from reverse engineered samples.

Contact Lattimer for more information sales@lattimer.com



LATTIMER

CREATING A NEW VISION FOR GLASS ENGINEERING

Lattimer
79-83 Shakespeare Street
Southport, Merseyside
England PR8 5AP

Tel: +44 (0) 1704 535040
Fax: +44 (0) 1704 541046
Email: sales@lattimer.com
Web: www.lattimer.com

Lattimer
3603 North Mill Road
Vineland
New Jersey 08360, USA

Tel: +1 (856) 691 2203
Fax: +1 (856) 691 5509
Email: salesamericas@lattimer.com
Web: www.lattimer.com



THE QUEEN'S AWARDS
FOR ENTERPRISE:
INTERNATIONAL TRADE
2018