

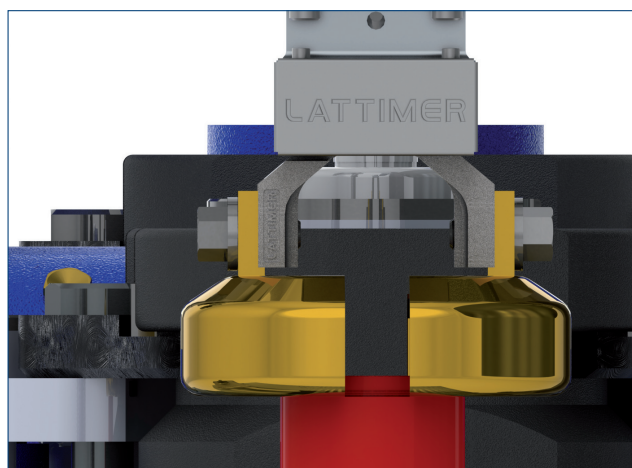
Linear Action Tong Holder

The Linear Action Tong Holder provides a consistent pickup with cushion closing reducing wear defects and increasing efficiency.

By its unique design many of the problems experienced with conventional "arcuate" tong holders are removed. Such as ware checking and tong winking.

As the tongs move in a linear motion wear associated with traditional link & pin designs is eliminated. In the Linear Action Tong Holder wear parts are kept to a minimum, resulting in smooth backlash free tong operation.

The linear motion, coupled with the damping at the end of the closing stroke will be particularly beneficial where thread pick-ups and wide neck containers are required.



Contact Lattimer for more information
sales@lattimer.com

Features

- Linear Action tong close/open
- Tong close end cushioning
- Interchangeable with existing equipment (tong heads)
- Smooth precise action
- Non-Winking design

Part Number: L14426700

The Linear Action Tong Holder is a Lattimer Patented Product

Benefits

- Thread pick up and extended mould time.
- Eliminates pick up faults associated with arcuate tong motion.
- Simplifies tong insert design.
- Consistent, repeatable pick up.



LATTIMER

CREATING A NEW VISION FOR GLASS ENGINEERING

Lattimer
79-83 Shakespeare Street
Southport, Merseyside
England PR8 5AP

Tel: +44 (0) 1704 535040
Fax: +44 (0) 1704 541046
Email: sales@lattimer.com
Web: www.lattimer.com

Lattimer
3603 North Mill Road
Vineland
New Jersey 08360, USA

Tel: +1 (856) 691 2203
Fax: +1 (856) 691 5509
Email: salesamericas@lattimer.com
Web: www.lattimer.com